

Ecofender™ Elite Permanent Amphibian & Reptile Guidance Barriers

Ecofender™ Elite Permanent Amphibian & Reptile Guidance Barrier is a robust material for permanent exclusion and mitigation projects.

It has a dual lip barrier and different heights to safeguard a variety of wildlife. It's also easy to work with if cutting, screwing or drilling and can be secured into the ground with pointed posts for simple installation.

Features/Benefits:

- Robust Material
- Dual Lip Barrier
- Different Heights to Safeguard a Variety of Wildlife
- Extremely Durable
- Weather Resistant
- Requires no Material Maintenance
- 100% Recycled Plastic
- 100% Recyclable
- Non-Toxic
- Non-Polluting
- Harmless to Flora and Fauna
- Reduces the Carbon Footprint of Any Development
- Simple Installation
- Easy to Work with if Cutting, Screwing or Drilling

Feature	Ecofender™ Elite
Length	192 cm – 6½ft
Thickness	2.5 cm – 1"
Overall Thickness (Including Lip)	10 cm
Height	60 or 80 cm – 2 or 2½'
Weight	33 or 44 kg – 73 or 97 lbs
Material	100% recycled plastic
Colour	Brown Grey
Life Expectancy	50 years + (20 year warranty)

Application Categories: Wildlife Protection



Agrotextiles



Biodegradables



Geotextiles



Specialist



Wildlife



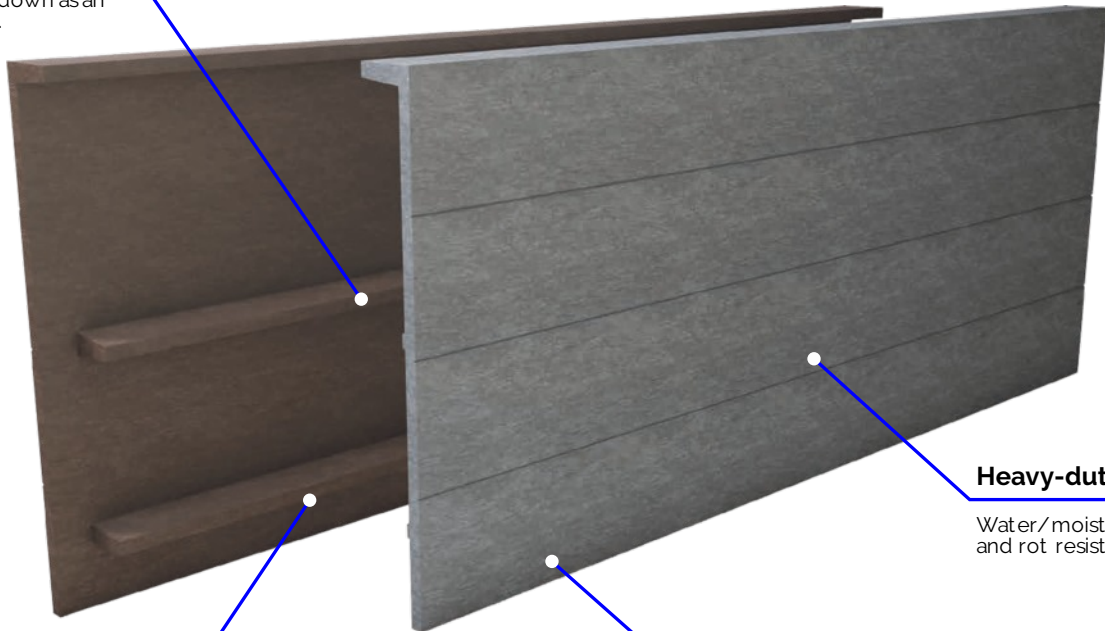
Living Walls & Roofs



Accessories

Dual lip guard

Features a top lip and one mid-way down as an added barrier.



Heavy-duty design

Water/moisture repellent and rot resistant.

Multi-use

Bury the guard to the bottom lip to create a solid burrowing barrier.

It can also be used for bank retention.

Environmentally friendly

100% recycled plastic, 100% recyclable.



PROTECTING WILDLIFE

ecofender™

NEWT BARRIER GUIDANCE FENCES & PANELS



Application Categories: Wildlife Protection

Hy-Tex (UK) Limited
Aldington Mill, Mill Lane,
Aldington, Ashford, Kent
TN25 7AJ

01233 720097
sales@hy-tex.co.uk
www.hy-tex.co.uk
01233 720098





Agrotextiles



Biodegradables



Geotextiles



Specialist



Wildlife



Living Walls &
Roofs



Accessories

Ecofender™ Elite Installation Guidelines

Step 1

Dig a shallow trench 12.5–15 cm (5–6") deep so that the bottom section of the panel is buried up to, or slightly over the bottom lip. This creates a solid burrowing barrier and improves stability.

Step 2

Using 9 cm x 9 cm x 100 cm (3-1/2" x 3-1/2" x 3'3") or longer posts (depending on guard height and ground conditions) drive the post into the ground so it is positioned 10 cm (4") below the top lip and allows the bottom plate/lip to be buried. For example, 60 cm (2') panel using 100 cm (3'3") long posts will have each post 65 cm (2'2") in the ground to allow for a 10 cm (4") top gap, which will act as an added barrier, and a 15 cm (6") buried plate.

Step 3

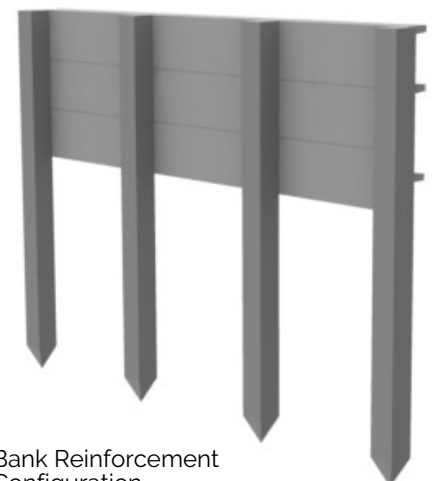
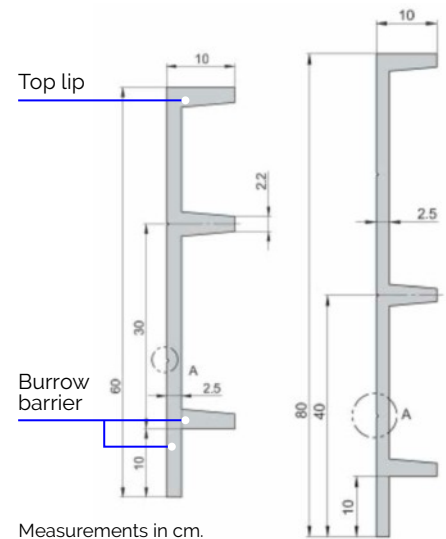
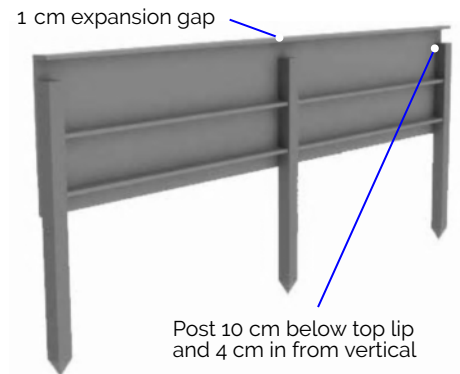
Position each post 4 cm (1-5/8") in from the vertical panel edge. As posts are 9 cm (3-1/2"), securing 4 cm (1-5/8") behind each guard will allow for a 1 cm (3/8") expansion gap between panels. Repeat this 4 cm – 1 cm – 4 cm (1-5/8" – 3/8" – 1-5/8") pattern along the length of the the installation.

Step 4

Fix three screws through the front of the panel vertically into each post at three equidistant intervals. Double staggered screws may be used at each fixing point if desired (six screws instead of three). Pre-drilling holes is recommended.

Step 5

End panels should be angled inward to safely direct wildlife. Once each guard has been properly fixed to posts, fill trench and compact soil up to, or slightly above bottom lip.



Bank Reinforcement Configuration

BANK REINFORCEMENT

Using 9 cm x 9 cm x 200 cm (3-1/2" x 3-1/2" x 6'6") or longer posts (depending on panel height), position four posts along the front/flat

Application Categories: Wildlife Protection

Hy-Tex (UK) Limited
Aldington Mill, Mill Lane,
Aldington, Ashford, Kent
TN25 7AJ

01233 720097
sales@hy-tex.co.uk
www.hy-tex.co.uk
01233 720098

