



Bayco® Equine

Bayco® Equine fencing wire is specially developed by Bayer to combine safety and security for horses with the strength, durability and attractiveness needed in such fences.

The majority of horse injuries that occur in paddocks and pastures are fence related and often the result of the fence materials, design, workmanship, or combinations of all three. The most successful horse fences are designed and built with specific horse habits in mind:

- The tendency to get hooves and legs caught in or through the fence or brace assembly.
- Their active, alert, wandering nature and tendency to flee from real or perceived danger.
- The habit of chewing wood boards, and
- The need for good fence visibility.

While fences that require high maintenance can result in further hazards from neglect (sagging, protruding rails, sharp or broken edges). The choice of suitable fencing materials is therefore vital to protect your horses from unnecessary injury.

Bayco® Equine fencing wire is specially developed by Bayer to combine safety and security for horses with the strength, durability and attractiveness needed in such fences. This unique synthetic polymer monofilament, which is white in colour, produces an attractive, highly visible fence that has become popular worldwide due to its easy installation, low maintenance, high aesthetic value and economic and effective protection.

Features/Benefits:

- Developed to Combine Safety and Security for Horses
- Aesthetically Pleasing with No Sharp Edges
- High Strength
- 7 Times Lighter than Steel Wire
- High Visibility
- UV & Weather Resistant
- Resistant to Extreme Temperatures
- Does not Conduct Electric or Rust

| Feature | Bayco® Equine |
|------------------|--|
| Colour | White |
| Nominal Diameter | 4mm |
| Breaking Force | 550Kg |
| Reel Size | 650m |
| Weight | 9.5Kg |
| Accessories | Protective Staples, Anchor Vice and Splicers |

Application Categories: Horticulture, Agriculture and Equestrian



Agrotextiles



Biodegradables



Geotextiles



Specialist



Wildlife



Living Walls &
Roofs



Accessories

Advantages

Bayco® Equine is smooth so won't scar your animal if it brushes against the fence or tries to violate its borders. Bayco® Equine is both rugged and resilient, and is the only wire that can stretch over 20% beyond its original length and still return to normal maintaining tension. Horses can and regularly do break through fences, and it is at these times that serious injuries occur. However the risk of harm can be minimised if the fencing material offers the advantage of visibility, strength and flexibility.

Visibility is particularly important as horses have difficulty distinguishing certain colours. Some conventional fences are therefore difficult for them to see, compounding the risk of a horse accidentally running into the fence - which is why white fencing wire or sight wire is recommended.

Bayco® Equine offers many other advantages over normal wire:

- It is approximately 7 times lighter than steel wire, so is much easier to handle and use (A 650m reel weighs only 9.5kg).
- The 4mm diameter cable has a breaking force of 550kg.
- The bright white colour provides a long-term, high visibility, attractive barrier or sight wire.
- It is UV and weather stabilised to retain high tensile strength and elongation elasticity for many years
- Once properly tensioned, it does not sag, and with a 24% extension capability before breaking (Steel only has approx. 3% breaking stretch) returns to its original shape after bearing lower loads. Conventional fences do not have this ability so quickly sag, become unsightly and result in higher maintenance.
- It is resistant to extreme temperatures, sunlight, crop chemicals, organic solvents, alkalis, acids and sea water (so ideally suited to coastal regions)
- Unlike metal it does not conduct electricity or rust, and there are no sharp edges



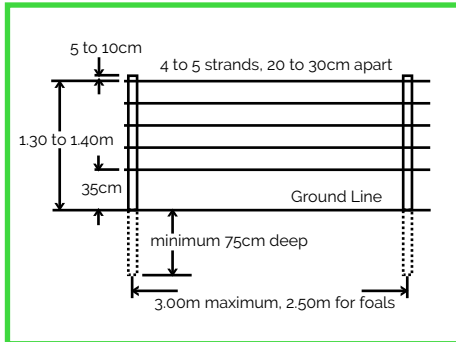
Application Categories: Horticulture, Agriculture and Equestrian

Hy-Tex (UK) Limited
Aldington Mill, Mill Lane,
Aldington, Ashford, Kent
TN25 7AJ

01233 720097
sales@hy-tex.co.uk
www.hy-tex.co.uk
01233 720098



Bayco® Equine Installation Guidelines



Strand Spacing - Recommended strand spacing is 4 to 5 strands of Bayco® 20 to 30cm (7 to 12 inches) apart. The top strand should be a minimum of 1.30 to 1.40m (52 to 55 inches) from the ground and 5 to 10cm (2 to 4 inches) from the top of the post. The bottom strand should normally be 35cm (14 inches) off the ground (Slightly less for foals).

Stallions and Jumpers - A good rule for paddocks and pastures is to have the top of the fence at wither height in general and taller for jumpers, so for extra fence height, use 6 to 7 strands of Bayco®.

Post Size and Spacing - Minimum 1.40 to 1.50m (55 to 59 inch) exposed post height. Post diameter and depth (minimum 75cm) are subject to ground conditions. While corner and gateposts are required to handle greater loads so should be about 25% larger in diameter, set deeper and braced. Set posts between 2.50 and 3.00m (8 to 10 feet) apart, this will depend on your horses (you know them best).

Line Attachment to Posts - The recommended way to install Bayco® is to staple the line to the inside face of the posts using protective staples. Care should be taken to prevent crushing Bayco® when hammering each staple therefore it is important to secure an insulator over the Bayco® at each post and drive a barbed staple over the insulator to hold it firmly but without crushing the wire. This permits the Bayco® to slide freely without wear.

Line Attachment to Corner/End Posts - On corner and end posts, it is recommended that each strand of Bayco® be terminated and anchored to the post with a one-way vice, in order to protect the fencing from the abrasion and eliminate weaknesses caused by knotting. To install the one-way vice, drill end posts with a 16mm (5/8 inch) wood drill bit, push the strand through, and slip on the one-way vice. The jaw system automatically grips and prevents slipping after the strand is pulled through the vice.

Stretching for Proper Tension

Always pull the Bayco® strand from both ends, for proper tension. Always start at the bottom strand and work your way up to the top strand. And, always leave enough extra Bayco®, say 15 to 25cm (6 to 10 inches), on both ends to attach a strand stretcher at vice grips.

As each strand of Bayco® Equine Fencing is walked out, the strand should be fastened at the far end and pulled hand tight.

Bayco® Equine Fencing requires a tension of 3% of total strand length. For example, a 100m length with a 3% tension, the total length to be pulled is $0.03 \times 100 = 3m$.

After each strand is pulled hand-tight, mark one-half of the amount to be pulled (1.5m of the 3m example) on each end of the strand, and pull the mark to the end post. Do NOT pull down hard on Bayco® Equine with a tension tool or vice grips. Use just a little tension and pull directly toward you.

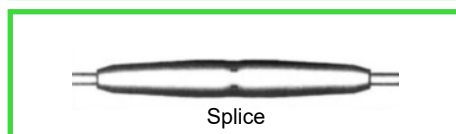
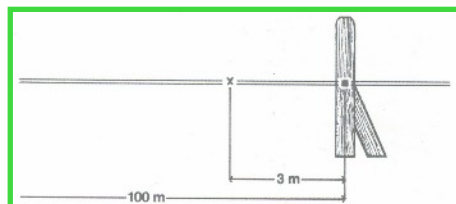
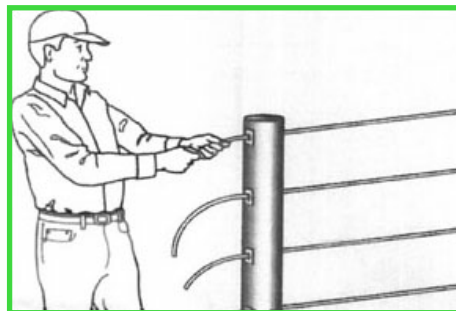
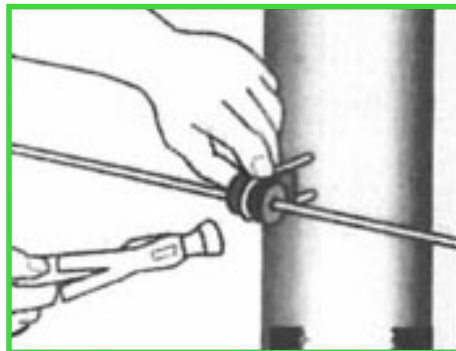
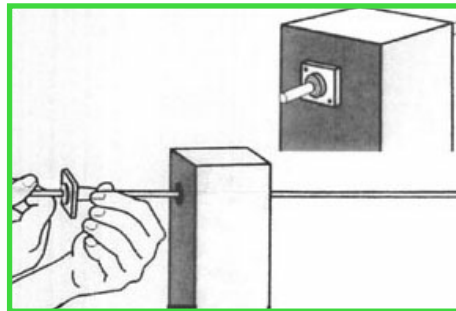
Leave a small amount of Bayco® protruding through each fastening vice on end posts incase future re-tightening be required due to post movement. These strands can be lightly stapled to the end post.

Splicing - It is recommended that a splicer be used when joining strands, if splicing between posts is necessary. Strain the strand ends to butt together, slip on the splicer, and release.

Loss of Tension - With time, the tension in Bayco® may loosen due to movement of fence posts. Fencing should be checked occasionally for a resonant "twang" when each strand is plucked. If this "twang" cannot be heard, additional tightening is recommended after locating and correcting loose posts

Electrified Wire - Horses which have a tendency to rub fencing continually or "play" with fencing can lead to problems for the fence and the horse. In cases of frequent horse contact with Bayco® Equine Fencing, an electrified wire is recommended.

An electric line is also especially recommended with foals. Our protective staples also act as insulators so that electric wire can be added simply by wrapping it around the strand of monofilament, your choice of which strand, depending on your horses.



Application Categories: Horticulture, Agriculture and Equestrian