



## VersiWall® GP

**VersiWall® GP is an extremely versatile, easy-to-install and low maintenance modular vertical greening system which offers architects and developers a cost-effective solution to turn monotonous walls into aesthetically-pleasing living plant walls.**

Few living wall systems offer the versatility of the VersiWall® GP hanging wall. At the heart of the system is the planting tray that fits either two plants in 4" nursery pots or direct planting.

VersiWall® GP offers the flexibility to choose from several tray mounting options (propriety panels, weld mesh, rods or steel wire) to suit wall conditions and minimise wall penetrations, with 6 universal anchoring points on each tray to enable installation easily and safely by just one person.

VersiWall® GP trays can also be arranged in a variety of horizontal and vertical spacing to provide flexibility in planting density and layout.

VersiWall® GP trays can be individually easily replaced or removed for maintenance or design change, while anti-lift arms prevent inadvertent dislodgement of trays.

Irrigation pipes are concealed neatly at the rear between trays and each VersiWall™ tray has baffle to distribute water evenly and a covered water reservoir for healthy plant growth, with excess water flowing into underlying trays or discharging through drainage pipes.

VersiWall® GP trays allow a wide choice of soil media to suit plant requirements and each tray holds 1.8l of soil, equivalent to the volume of a 150mm diameter pot.

VersiWall® GP trays and panels are manufactured from UV-stabilised recycled polypropylene that meets requirements for international "Green Building" certification.

### Features/Benefits:

- Creates aesthetically pleasing walls
- Versatile
- Trays can be individually changed
- Easy to Install
- Possibility to create curved walls
- UV Stabilised
- Made from Recycled Plastic
- Meets 'Green Building' Certification
- Fire Resistant model available
- Choice of open or closed spacing

Application Categories: Living Walls



VersiWall® GP Tray

Feature	VersiWall® GP
Material	Recycled Polypropylene (UV stabilised)
Size (mm)	Tray Overall: 195 (W) x 207 (H) x 192 (D) Nominal: 200 (W) x 150 (H) x 195 (D)  Mounting Panel Overall: 418 (W) x 925 (H) x 22 (D) Nominal: 400 (W) x 900 (H) x 22 (D)
Planting Media Volume (l)	~ 1.8
Weight on Mounting Panels (kg/m <sup>2</sup> )	Close Planting (~33 trays/m <sup>2</sup> ) ~ 93  Open Planting (~ 22trays/m <sup>2</sup> ) ~ 62
Vertical Distance between trays (mm)	At 150mm pitch: 0 (trays overlap)  At 225mm pitch: 40
Biological / Chemical Resistance	Unaffected by moulds and algae. Good resistance to alkali and bitumen



VersiWall® Mounting Panel

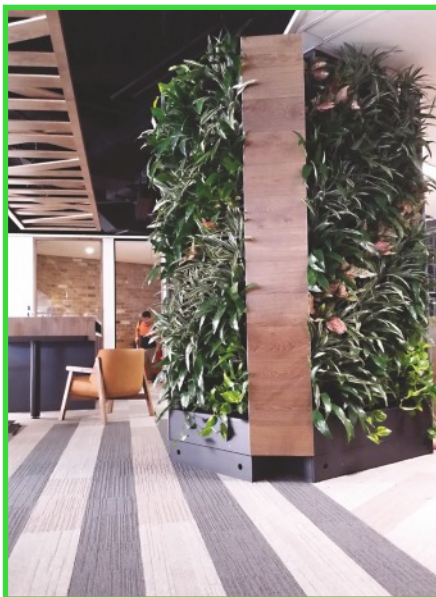


Fire Resistance  
Version Available



Toxicity emission	BS 6853 Annex B	R < 1.0
Smoke density	BS EN 13501-1	Smoke density: Class S1
Fire spread	BS EN 13501-1	Flaming droplet: Class D0
		Fire spread: Class B

VersiWall® GP featured at the RHS Chelsea Flower Show 2018 - winning a Gold Medal, and Best Space to Grow Garden, as part of the 'Urban Flow' garden exhibition, where it was used to create an edible living wall.

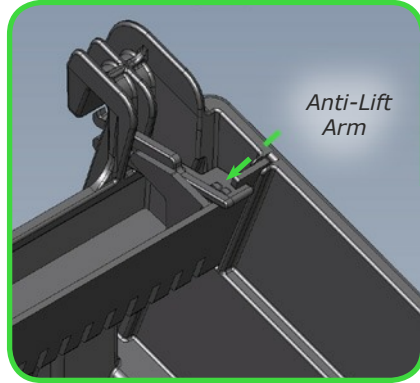


**Note:** The information provided in this brochure is based on current knowledge and experience and does not infer any legally binding assurance or warranty, expressed or implied. Intending purchasers should verify whether any changes to specifications or applications or otherwise have been made since the issue of this literature. Environmentally-friendly recycled materials are used in product manufacture wherever possible. Physical product properties including colour may differ due to source of raw materials used. Colour may also fade due to UV exposure. All components of the product are designed for specific application, design calculations and any variation and/or deviation therefrom shall be the responsibility of the specifier and/or user.

Application Categories: Living Walls

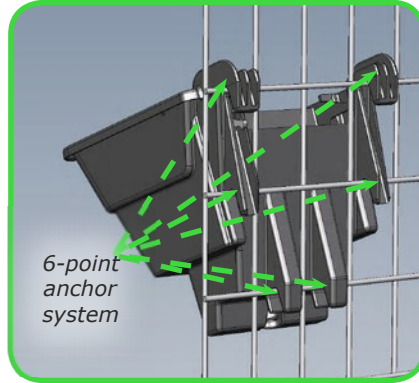
### Safety

Anti-lift arms prevent the inadvertent dislodgment of trays by natural causes or accident.



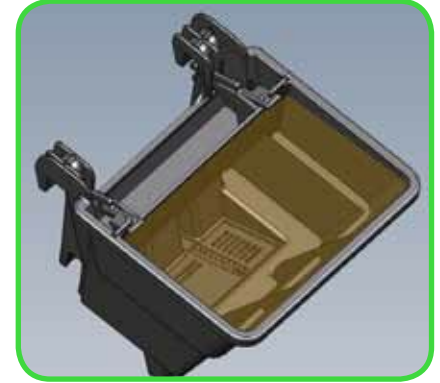
### Multi-Point Mounting

3 pairs of anchor hooks provide flexibility, allowing a variety of mounting and design options.



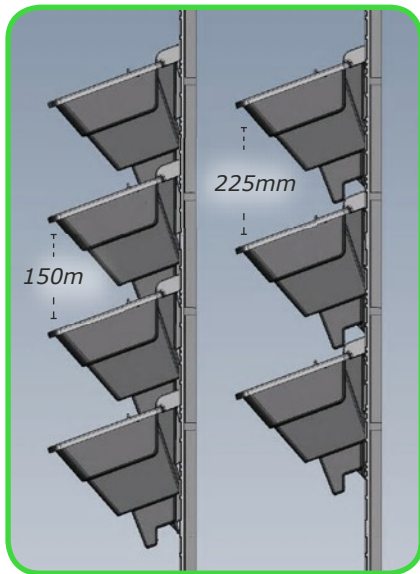
### Planting Media

Suitable for most green wall plants and common planting media.



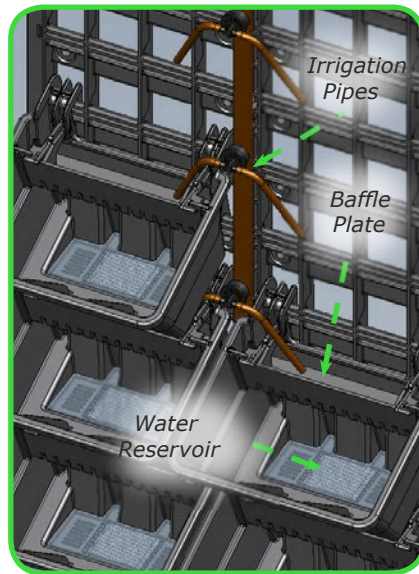
### Plant Density

Variable vertical and horizontal tray spacing allows different planting and design options.



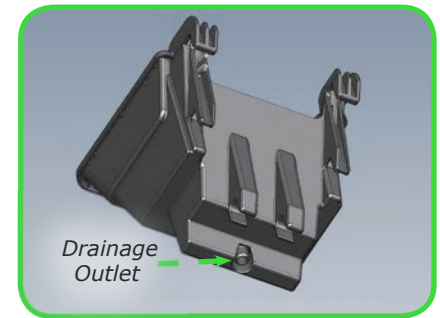
### Baffle Plate & Reservoir

Distributes irrigation, prevents media spillage and stores excess water to sustain healthy growth.



### Drainage

Excess water flows into underlying trays or is discharged through a drainage outlet.



**VGP Tray Plug**  
Optional plug prevents water from draining out.



Application Categories: Living Walls

## Advantages

**Planting Media** - Allows wide choice of planting media for green wall plants.

**Safety** - Anti-lift arms prevent inadvertent dislodgement of trays.

**Drainage** - Excess water flows into underlying trays or is discharged through drainage pipe.

**Baffle Plate** - Distributes irrigation across the Tray and prevents media spillage.

**Planting Density** - Allows different vertical and horizontal spacing for varied planting options.

**Water Re-use** - Capillary wick draws stored water and fertilizer from reservoir.

**Irrigation** - Irrigation pipes are concealed neatly at the rear between Trays.

**Universal Mounting** - Able to install on different mounting systems with up to 6 universal anchoring points.

**Mounting Panel** - Simplifies installation with minimal wall penetrations and less bolts are needed.

**Soil Volume** - Holds 1.8L of soil equivalent to volume in 150mm dia. pot.

**Tray Width** - 200mm tray width allows flexibility in plant spacing and tray layout.

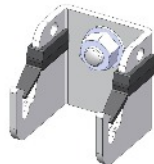
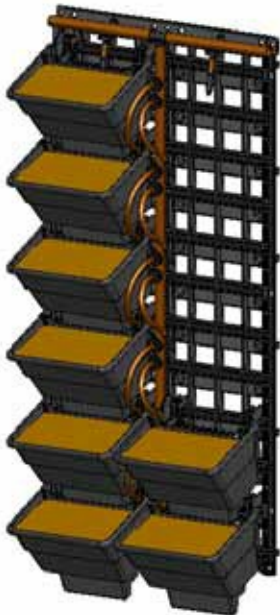
A unique feature of the system is the ability to create curved walls (minimum 44cm radius) when the trays are mounted on weld mesh.

Depending on plant size and density desired, VersiWall® GP Trays allow plant spacings of between 200mm and 300mm horizontally and 150mm or 225mm vertically, subject to mounting panel option.

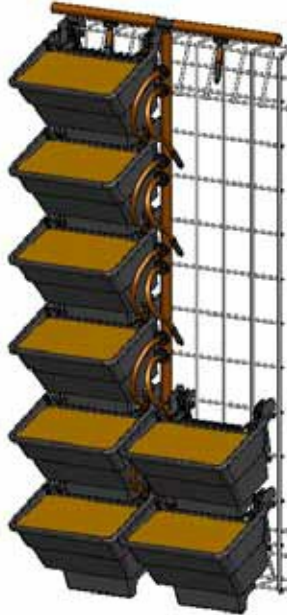
VersiWall® GP Trays can be individually replaced or removed for wall maintenance or design change. Each VersiWall® GP Tray has a water reservoir with a cover designed to allow capillary wicking through the planting medium to re-use stored water and facilitate sustained plant growth.

The use of mounting frames minimises wall penetrations and enables installation to be carried out easily and safely by just one person.

## Mounting Systems

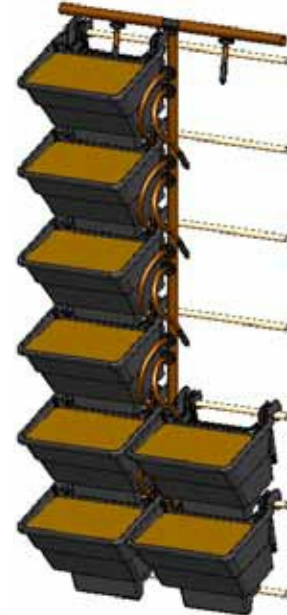


VGP Mesh Bracket for quick and easy installation



**Welded Mesh**

75 x 75mm or 50 x 75mm galvanised/stainless welded mesh



**Steel Rods**

Steel rods at 75mm intervals for a more minimalist design.

**VersiWall® GP Mounting Panel**

Easy to install proprietary panel made from recycled plastics.

Application Categories: Living Walls