



Hy-Tex Terralys™ Geotextiles Horse Arena Guidelines

All weather horse arenas/gallops must be constructed to cope with adverse weather conditions, whilst preserving the properties of the riding surface. Therefore, the inclusion of Hy-Tex Terralys™ LF16/16 separation geotextile will help to maintain a clean, free draining surface and improve stability.

The following guidelines, and sketches, have been prepared to help with your design:

LOCATION

- ♦ To simplify drainage, ideally the arena should be located near a stream, ditch or existing drain.
- ♦ On sloping ground some excavation will be required to make the area level.

CONSTRUCTION

- ♦ Examine the site and roughly mark out the arena (usually 30m to 40m x 20m).
- ♦ Remove all topsoil and vegetation from the riding area, then level the site.
- ♦ Unless the soil is free draining, "herringbone" drainage will be required to drain the subsoil and carry away surface water.
- ♦ Dig a spine drain trench across the centre of the arena. This should be 30cm wide and have a varying depth (minimum 40cm) - to give a gentle fall toward the outlet.
- ♦ Branch drainage channels should be dug at approximately 5m centres.
- ♦ Line all trenches, and cover the prepared soil-base, with Hy-Tex Terralys™ LF16/16 geotextile, to filter out water borne soil particles and reduce silting up. Lap any joints in the fabric a minimum of 30cm.
- ♦ A drainage pipe is not necessary unless large volumes of water are expected - such as in the spine drain or the cut off drain.
- ♦ Erect a retaining timber border (Typically 2 railway sleepers on edge) around the perimeter of the arena, and backfill or prop.
- ♦ Use crushed stone, clean rubble, or similar material of roughly 5 to 7cm size which does not have sharp edges, to fill the trenches and form a drainage layer over the whole riding area, compacted to a depth of 10 to 15cm.
- ♦ Cover the entire area with Terralys™ LF 16/16 geotextile to separate the top dressing from the rubble, again lapping any joints a minimum of 30cm and seal the lap using Hy-Tex double-sided joining tape.
- ♦ Fill with riding mix (normally cleaned silica sand, or bark/rubber chips) to a depth of at least 20cm.
- ♦ It is essential that no vehicle is allowed to drive over the uncovered fabric. Drainage layer stone and riding mix should be back tipped, beginning from the point of access, then spread and levelled using, when possible, a tracked vehicle working on top of the tipped material.
- ♦ On sites with sloping ground a cut off drain may be required to intercept surface water draining towards the manege. This is constructed in a similar manner to the spine drainage trench.

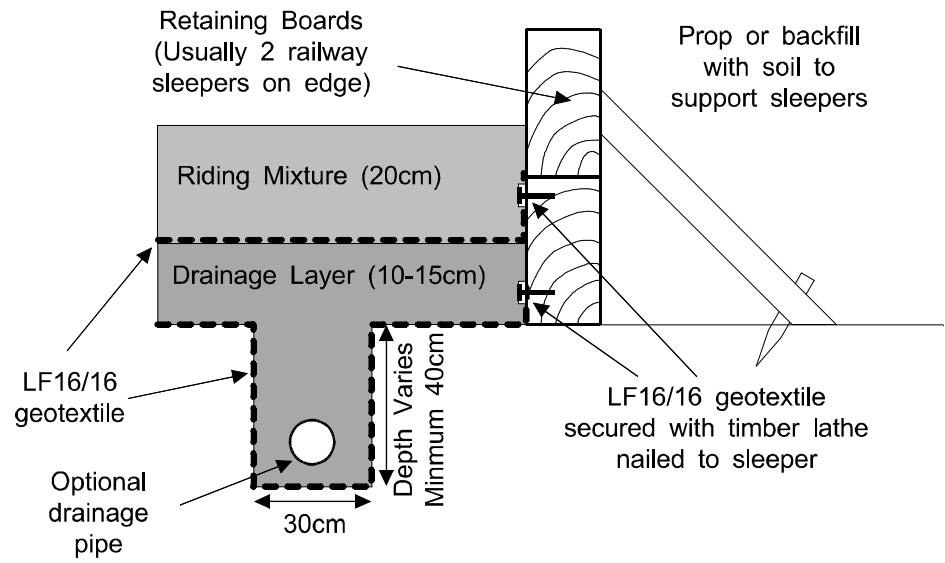
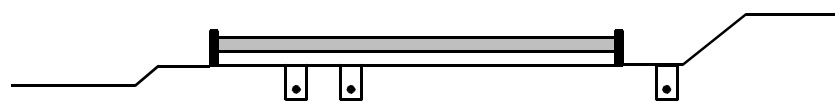
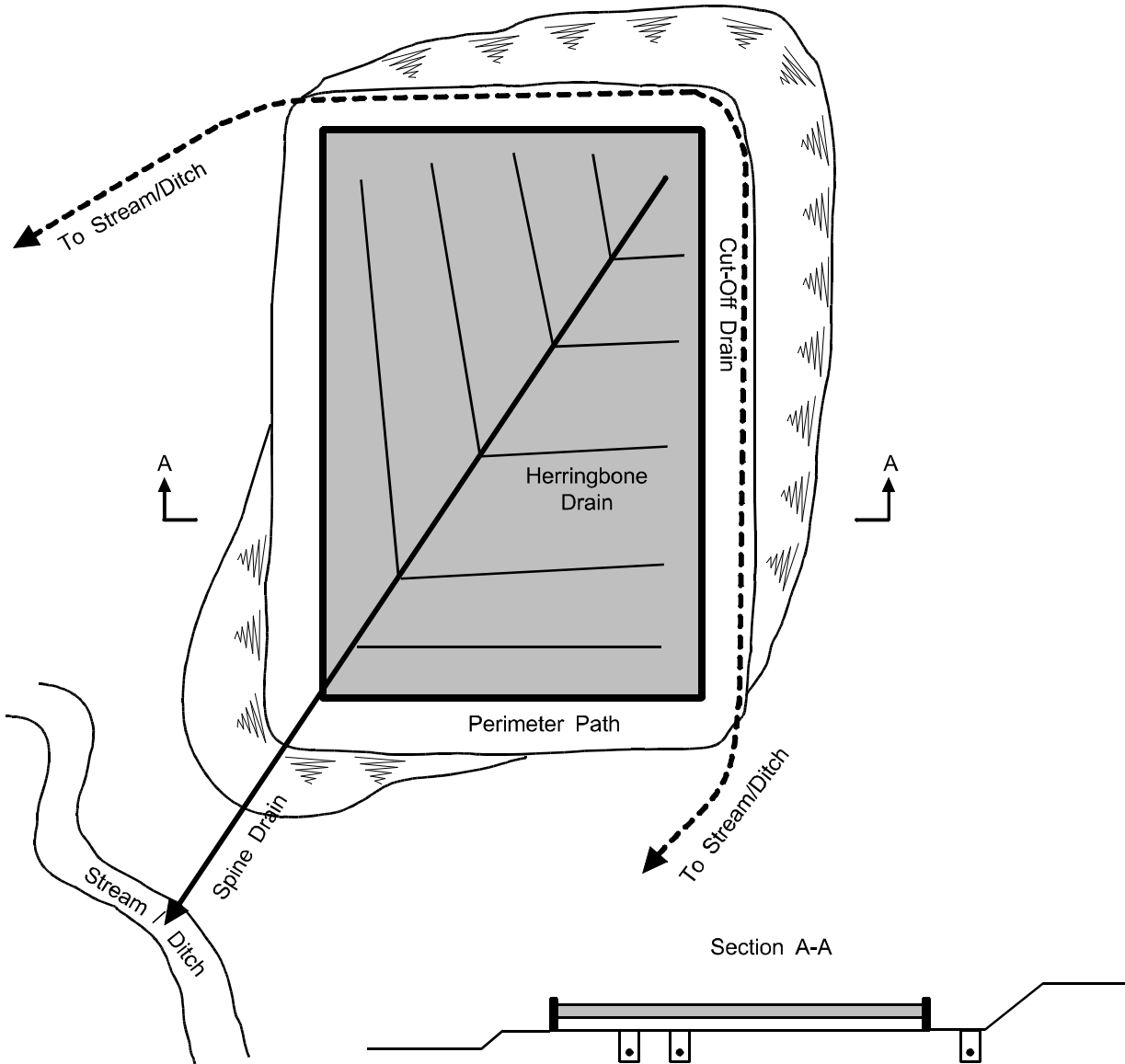
MAINTENANCE

- ♦ Regularly re-level riding mix by dragging a flat slatted frame (An old gate is a popular choice) over the surface.
- ♦ Regularly monitor depth of mix and top up as necessary.

All information is given in good faith and to the best of Hy-Tex (UK) Limited's knowledge is accurate. The information is of an illustrative nature and is supplied free of charge. It does not form part of any contract or any intended contract with the Buyer/User.

Since the circumstances and conditions in which the information and product may be used are beyond their control, Hy-Tex (UK) Limited, and any of its employees, agents, suppliers, or contractors, do not accept any liability for loss or damage, however arising, which results directly or indirectly from the use of such information and products. Nor do we offer any warranty, expressly or implied, or immunity against patent infringement.

Full details on Terms of Use and Disclaimer, together with Standard Trading Terms and Conditions, are available on request.





Hy-Tex Terralys™ Geotextiles Horse Arena Guidelines

All weather horse arenas/gallops must be constructed to cope with adverse weather conditions, whilst preserving the properties of the riding surface. Therefore, the inclusion of Hy-Tex Terralys™ LF16/16 separation geotextile will help to maintain a clean, free draining surface and improve stability.

The following guidelines, and sketches, have been prepared to help with your design:

LOCATION

- ♦ To simplify drainage, ideally the arena should be located near a stream, ditch or existing drain.
- ♦ On sloping ground some excavation will be required to make the area level.

CONSTRUCTION

- ♦ Examine the site and roughly mark out the arena (usually 30m to 40m x 20m).
- ♦ Remove all topsoil and vegetation from the riding area, then level the site.
- ♦ Unless the soil is free draining, "herringbone" drainage will be required to drain the subsoil and carry away surface water.
- ♦ Dig a spine drain trench across the centre of the arena. This should be 30cm wide and have a varying depth (minimum 40cm) - to give a gentle fall toward the outlet.
- ♦ Branch drainage channels should be dug at approximately 5m centres.
- ♦ Line all trenches, and cover the prepared soil-base, with Hy-Tex Terralys™ LF16/16 geotextile, to filter out water borne soil particles and reduce silting up. Lap any joints in the fabric a minimum of 30cm.
- ♦ A drainage pipe is not necessary unless large volumes of water are expected - such as in the spine drain or the cut off drain.
- ♦ Erect a retaining timber border (Typically 2 railway sleepers on edge) around the perimeter of the arena, and backfill or prop.
- ♦ Use crushed stone, clean rubble, or similar material of roughly 5 to 7cm size which does not have sharp edges, to fill the trenches and form a drainage layer over the whole riding area, compacted to a depth of 10 to 15cm.
- ♦ Cover the entire area with Terralys™ LF 16/16 geotextile to separate the top dressing from the rubble, again lapping any joints a minimum of 30cm and seal the lap using Hy-Tex double-sided joining tape.
- ♦ Fill with riding mix (normally cleaned silica sand, or bark/rubber chips) to a depth of at least 20cm.
- ♦ It is essential that no vehicle is allowed to drive over the uncovered fabric. Drainage layer stone and riding mix should be back tipped, beginning from the point of access, then spread and levelled using, when possible, a tracked vehicle working on top of the tipped material.
- ♦ On sites with sloping ground a cut off drain may be required to intercept surface water draining towards the manege. This is constructed in a similar manner to the spine drainage trench.

MAINTENANCE

- ♦ Regularly re-level riding mix by dragging a flat slatted frame (An old gate is a popular choice) over the surface.
- ♦ Regularly monitor depth of mix and top up as necessary.

All information is given in good faith and to the best of Hy-Tex (UK) Limited's knowledge is accurate. The information is of an illustrative nature and is supplied free of charge. It does not form part of any contract or any intended contract with the Buyer/User.

Since the circumstances and conditions in which the information and product may be used are beyond their control, Hy-Tex (UK) Limited, and any of its employees, agents, suppliers, or contractors, do not accept any liability for loss or damage, however arising, which results directly or indirectly from the use of such information and products. Nor do we offer any warranty, expressly or implied, or immunity against patent infringement.

Full details on Terms of Use and Disclaimer, together with Standard Trading Terms and Conditions, are available on request.

Hy-Tex (UK) Limited, PO Box 97
Aldington, ASHFORD, Kent TN25 7EA

sales@hy-tex.co.uk
© 2003, Hy-Tex (UK) Ltd

www.hy-tex.co.uk
GEO HM OCT 05

Hy-Tex (UK) Limited

Tel: 01233 720097

Committed to Quality, Value & Service

Fax: 01233 720098

